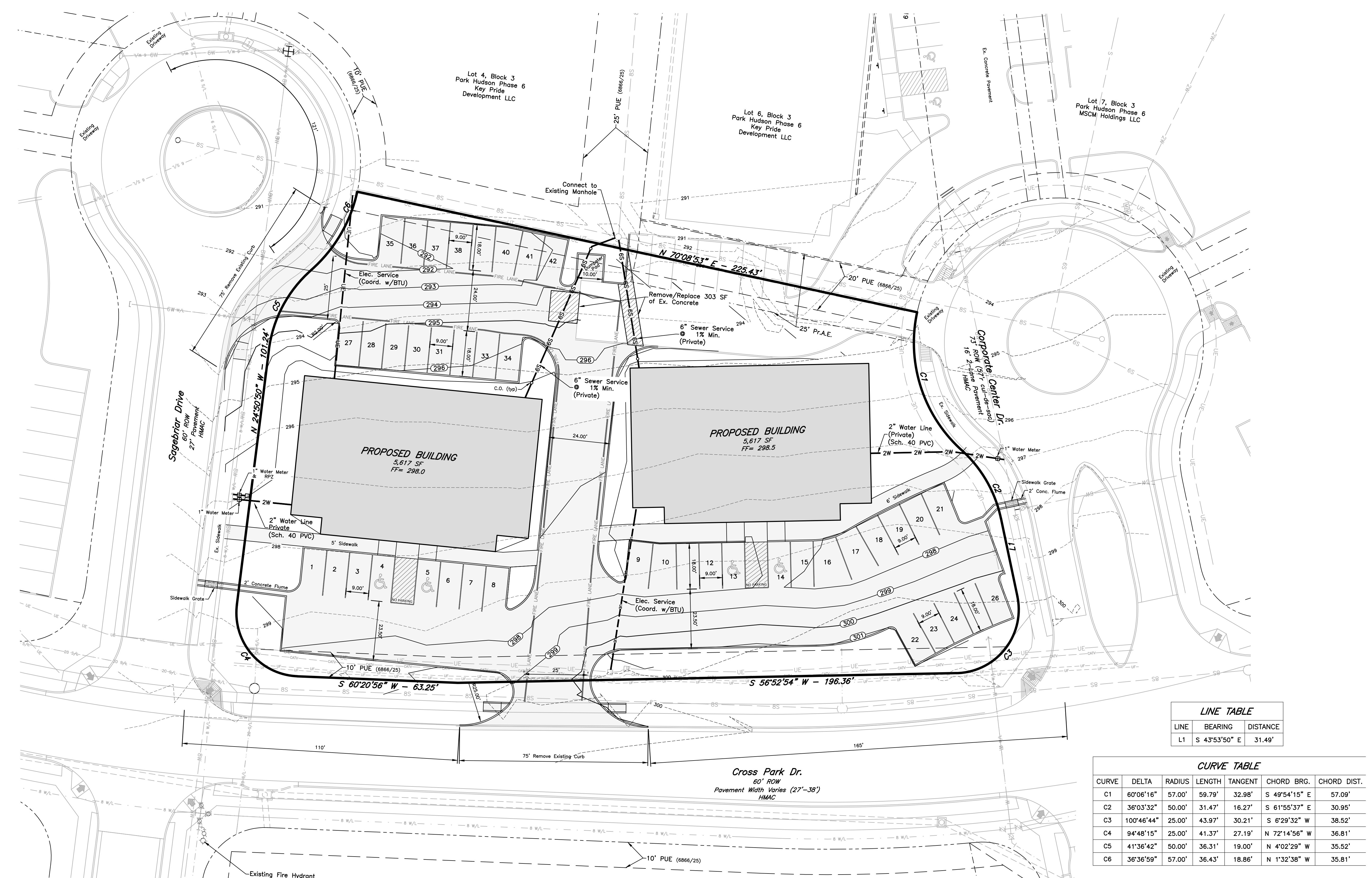


VICINITY MAP



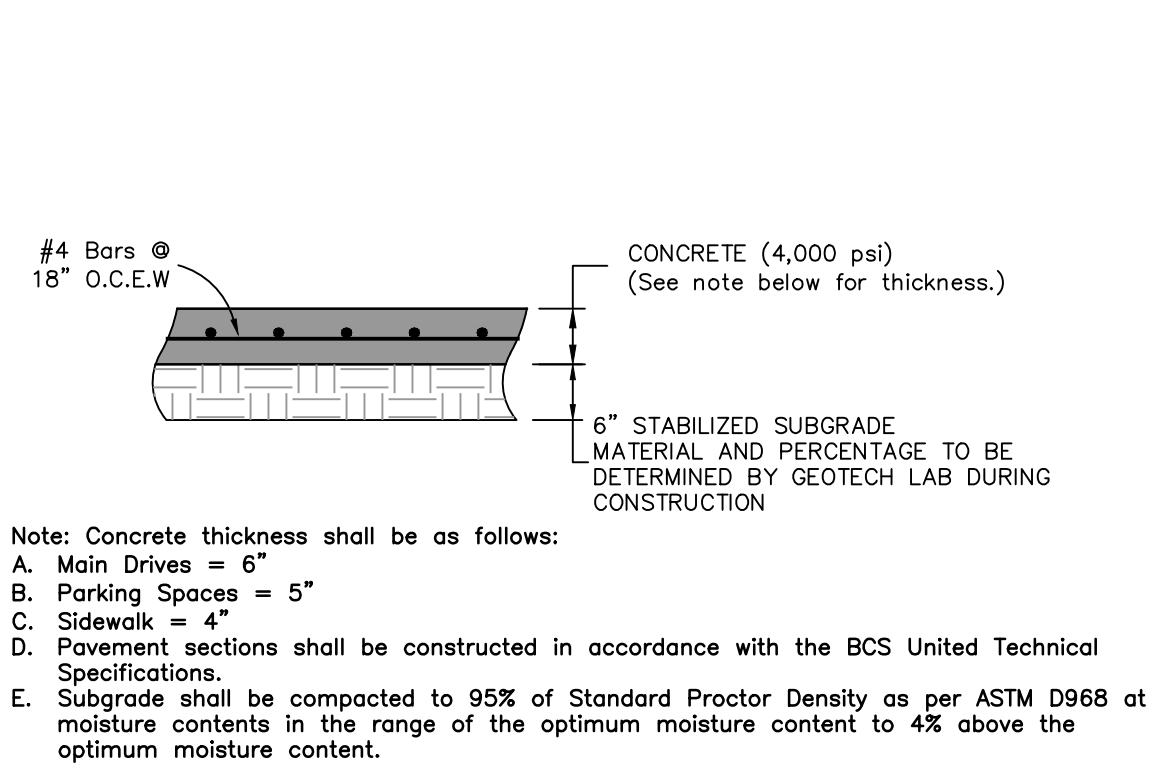
LINE TABLE

LINE	BEARING	DISTANCE
L1	S 43°53'50" E	31.49'

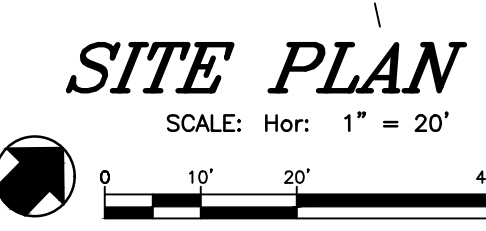
CURVE TABLE

CURVE	DELTA	RADIUS	LENGTH	TANGENT	CHORD BRG.	CHORD DIST.
C1	60°06'16"	57.00'	59.79'	16.27'	S 49°54'15" E	57.09'
C2	36°03'32"	50.00'	31.47'	16.27'	S 61°55'37" E	30.95'
C3	100°46'44"	25.00'	43.97'	30.21'	S 6°29'32" W	38.52'
C4	94°48'15"	25.00'	41.37'	27.19'	N 72°14'56" W	36.81'
C5	41°36'42"	50.00'	36.31'	19.00'	N 4°02'29" W	35.52'
C6	36°36'59"	57.00'	36.43'	18.86'	N 1°32'38" W	35.81'

- GENERAL CONSTRUCTION NOTES:**
- It shall be the responsibility of the Contractor to verify the exact location of all existing underground utilities. Furthermore, the Contractor shall contact all utility company representatives a minimum of 48 hours in advance of any excavation.
 - A. Contact Texas811 @ 811
 - B. Contact City of Bryan Water Services @ 979-209-5900 to locate public water and sewer lines.
 - C. Contact BTU @ 979-821-5700 to locate Electrical Lines
 - Construction within Public Right-of-Ways and easements must equal or exceed the BCS Unified Technical Specification and Standard Construction Details. All inspections shall be coordinated with the staff of the City Engineer of Bryan.
 - In lieu of using the construction materials indicated in these plans, the Contractor shall obtain written approval from the Engineer for any substitution.
 - Trench Safety Requirements shall be in accordance with O.S.H.A. Standard 29 CFR Part 1926 Subpart P.
 - TRENCHING AND BACKFILLING:** The backfilling of all trenches within structural areas shall be accomplished with cement stabilized sand placed to within 6" of paving sub-grade. The backfilling of all trenches outside of structural areas shall be placed so as to achieve 85 percent Modified Proctor Density. All backfilling shall be between optimum and 4 percent (4%) above optimum moisture content. Testing shall be provided by a certified laboratory at the Owner's expense to verify these standards. Any retesting due to substandard work shall be at the expense of the Contractor. Structural areas shall include all sidewalks and paved areas. For streets, alleys and parking areas, the limits of the structural areas shall extend 5' beyond the curb lines or other paved areas.
 - It is the responsibility of the contractor to comply with all State and Federal Regulations regarding construction activities near energized overhead power lines. Additionally, the contractor shall coordinate all proposed work and procedures with the Bryan Texas Utilities (BTU).
 - Where a contradiction between plans and specifications occur, the plans shall be ruled as superior.
 - Trenches may be left open overnight if properly barricaded to prevent pedestrian access.
 - It shall be the responsibility of the Contractor to prepare and maintain a SWPPP and submit a Small Construction Site Notice and coordinate with City staff. Disturbed Area ~2.6 acres.



- City Details to use**
- Curb and Gutter—ST1-01
 - Residential Driveway—ST2-00
 - Concrete Joint—ST3-00
 - Silt Fence—SWPP1-03
 - Sewer Service Connection—S6-01
 - Water Service—W2-01
 - Straight or Angle Top—W6-01
- Legend**
- 1/2" Iron Rod Set
 - 1/2" Iron Rod Found
 - 5/8" Iron Rod Found
 - Existing Sewer Line w/ size
 - Existing Water Line w/ size
 - Proposed Water Line w/ size
 - Existing Gas Line w/ size
 - Existing Overhead Electric Line
- Abbreviations**
- D.E. Drainage Easement
 - D.D.F.E. Drainage Detention Facility Easement
 - D.R. Brazos County Deed Records
 - E.A.E. Emergency Access Easement
 - F.H. Fire Hydrant
 - P.A.E. Public Access Easement
 - P.R. Brazos County Plat Records
 - P.U.E. Public Utility Easement
 - R.O.W. Right-of-Way
 - U.E. Utility Easement
 - P.R.A.E. Private Access Easement
 - S.D. Storm Drain
 - P.R.L.E. Private Landscape Easement
 - F.D.C. Fire Department Connection



- TRAFFIC/HANDICAP SIGN INSTALLATION NOTES:**
- All signs shall be posted on 8"-6", 2-1/2" outside diameter Galvanized Steel Pipe Signposts that weigh two (2) pounds per linear foot. These signposts shall be placed a minimum of 2.5 to 3.0 feet into the ground in a dug or drilled one-foot diameter hole. The sign-post shall be placed vertically plumb in the center of the hole and secured with a minimum of two (2) sockets of sackcrete. The concrete mix shall be hand tamped as necessary.
 - All traffic signs shall be installed so that the bottom of each sign shall be at least seven (7) feet above the ground at the base of the signpost or above an adjacent travelway. All traffic signposts shall be installed 24" inches from the travelway. Handicapped Parking Signs and Fire Lane Signs shall be installed a minimum of five (5) feet above the ground at the base of the sign, and 12" from the travelway or sidewalk.
 - The hardware used to attach the signs to the signposts shall be the same as that currently used by the City of Bryan.
- STRIPING NOTES:**
- Contractor shall be responsible for the layout of the Parking Area striping plan in the field and stripe as shown on this sheet. All markings shall be white.
 - All paint, glass beads and application rates shall conform to TxDOT Item 666, ReflectORIZED Pavement Markings, Type II Marking Materials.
 - All Parking Space Limit Lines shall be solid white lines 6" wide.
 - All marking/stripping shall conform to current specifications of the Texas Manual on Uniform Traffic Control Devices, the TEXAS ACCESSIBILITY STANDARDS (TAS) of the Architectural Barriers Act [Article 9102, Texas Civil Statutes] from the Texas Department of Licensing and Regulation
 - Fire Lane curbs shall be marked "Fire Lane, No Parking, Tow Away Zone" with minimum of 4" letters on curbs only.

SITE PLAN

**LOT 5, BLOCK 3
PARK HUDSON PHASE 6
3841 Corporate Center Drive
1.07 Acres**

BRYAN, BRAZOS COUNTY, TEXAS
SUBMITTED: JANUARY 2022
SCALE: 1" = 20'

Owner: KeyFride Properties
24044 Cinco Village Center #100
Katy, TX 77494

Prepared By: McClure & Browne Engineering/Surveying, Inc.
1008 Woodcreek Dr., Suite 103
College Station, Texas 77845
(979) 693-3838

MB



LEGEND	
—	Silt Protection
—	Designates Type
—SP1—	Prop. Silt Protection
—C.I.P. #1—	Prop. Inlet Protection
—	Designates Number
—	Curb Inlet Protection (Grate Inlet Protection)

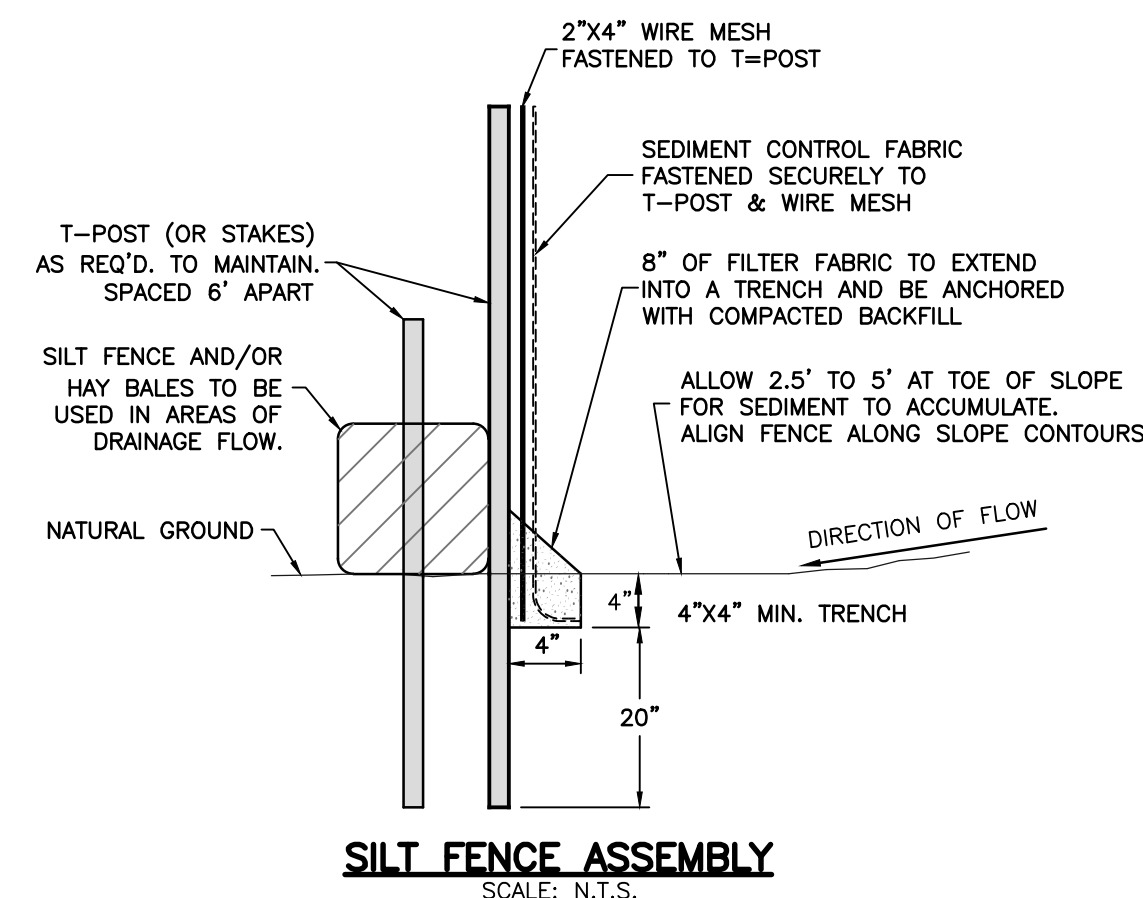
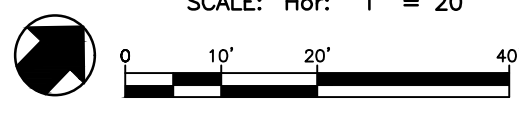
GENERAL EROSION CONTROL NOTES:

- It is the responsibility of the Contractor to prepare and maintain a Storm Water Pollution Prevention Plan in accordance with the Waller County and EPA requirements for storm water discharges associated with construction activity under General Permit, USACE 33 CFR & Section 404 of the Clean Water Act, & Texas Pollutant Discharge Elimination System (TPDES) General Permit No. TXR150000 as administered by the Texas Commission on Environmental Quality (TCEQ).
- The Contractor shall not allow sediment to leave the work area or enter any adjoining channels. Additional measures to those shown on this plan and described in these notes may be required to prevent sediment from leaving the work area. The contractor shall be responsible for clean-up and restoration to original condition, including establishment or re-vegetation of any lands or channels affected should construction sediment be found outside of limits of construction work.
- All disturbed areas are to have establishment of grass as outlined below. Contractor is responsible for watering, maintenance and establishment of grass for a period of 90 days beyond project acceptance. Contractor to guarantee all planted material growth and coverage for a period of 6 months. Growth and coverage shall be defined as 100% of the planted area with uniform coverage of grass greater than 1" in height with no bare spots greater than 2 square feet. A second application of fibermulch is required for bare spots not meeting coverage requirement within 60 days of initial application. Areas adjacent to the building and within the development to receive block sodding and/or landscaping are not included in this requirement.
- Contractor is to maintain erosion control throughout duration of the project such that all work areas are to plan grades once vegetation is established. Inure sediment is not transported downstream from project via hay bales or silt fence installation. If erosion is observed in the field, additional erosion controls shall be installed.
- Silt fencing is to be installed per detail. In lieu of silt fencing, contractor may use straw bale barriers or continuous extruded fabric berm filled with 3/4" gravel upon approval of the Engineer. Sediment to be cleaned from silt fencing or other sediment control devices when depth reaches $\pm 1/3$ total height of device. Contractor is to insure erosion control devices are consistently installed and properly maintained.

NOI & NOT INFORMATION :
 The site is approximately 1.1 acres and is located at the intersection of Sagebriar Dr and Cross Park Drive in Bryan, Texas. The site is situated at Latitude: 30° 39' 15.25"N and Longitude: 96° 17' 41.58"W. The site activity will consist of parking and general infrastructure improvements such as grading/paving, drainage improvements, driveways, and utility infrastructure improvements. The only source of pollution is the erosion of exposed soil. Storm water from the site sheet flows into Hudson Creek. The Contractor is responsible for containing all sediment on-site by utilizing siltation control devices, washdown areas, or seeding and sodding applications. It is the responsibility of the contractor to utilize whatever techniques that are necessary to prevent erosion from this construction.

EROSION CONTROL PLAN

SCALE: Hor: 1" = 20'



SILT FENCE ASSEMBLY
SCALE: N.T.S.

EROSION CONTROL PLAN

**LOT 5, BLOCK 3
 PARK HUDSON PHASE 6**
 1.07 Acres

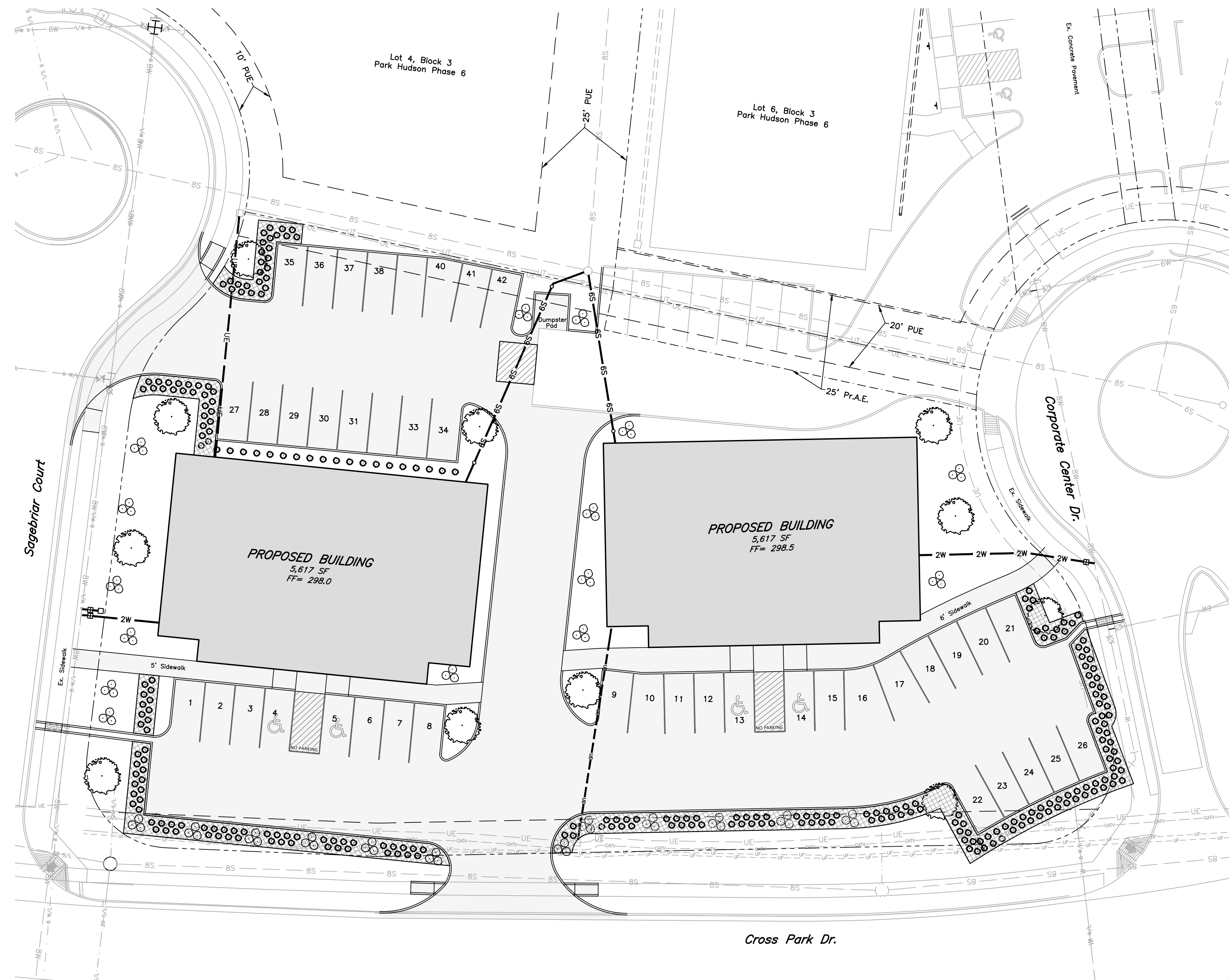
BRYAN, BRAZOS COUNTY, TEXAS

SUBMITTED: JANUARY 2022
 SCALE: 1" = 20'

Owner: Key Pride Properties
 24044. Cinco Village Center #100
 Katy, Tx 77494

Prepared By: McClure & Browne Engineering/Surveying, Inc.
 1008 Woodcreek Dr., Suite 103
 College Station, Texas 77845
 (979) 693-3838





LANDSCAPE PLAN

LANDSCAPE NOTES

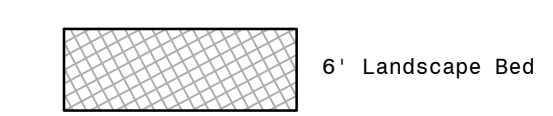
1. AN IRRIGATION SYSTEM TO SERVICE ALL NEW PLANTING MUST BE APPROVED BY CITY AND INSTALLED BY A CERTIFIED INSTALLER PRIOR TO ISSUE OF CERTIFICATE OF OCCUPANCY.
2. REPLACEMENT OF DEAD LANDSCAPING SHALL OCCUR WITHIN 90 DAYS OF NOTIFICATION. REPLACEMENT MATERIAL MUST BE OF SIMILAR CHARACTER AS THE DEAD LANDSCAPING. FAILURE TO REPLACE DEAD LANDSCAPING, AS REQUIRED BY THE OFFICIAL ZONING OFFICIAL OR HIS OR HER DESIGNEE, SHALL CONSTITUTE A VIOLATION OF THIS ARTICLE SUBJECT TO GENERAL PENALTY PROVISIONS OF CITY CODE SECTION 1-14.
3. TO ENSURE THE GROWTH OF TREES IN END ISLANDS, A MINIMUM OF 24" SOIL DEPTH AND 250 CUBIC FEET OF APPROPRIATE PLANTING MEDIUM IS REQUIRED PER TREE, WITH TOPSOIL MOUNDED TO A CENTER HEIGHT.
4. LANDSCAPE PROPOSED WITHIN THE PUBLIC ROW WILL BE MAINTAINED BY THE LOT OWNER FOR LOT 5, BLOCK 3, PARK HUDSON PHASE 6.

PROPOSED PLANT SPECIES

- COMMON NAME BOTANICAL NAME
- Canopy Trees to be used: Ulmus crassifolia
Cedar Elm
 - Non-Canopy Trees to be used: Lagerstroemia Indica
Crepe Myrtle
 - Ground Cover to be used: Cynodon dactylon
Bermuda Turf Grass
 - Proposed shrubs to be used: Raphelepis indica
Indian Hawthorn

LANDSCAPE REQUIREMENTS

	QTY.	POINT VALUE	COMMON NAME	SIZE	POINTS
	11	200	Canopy Trees	2"	2,200
	27	100	Non-Canopy Trees (3 shown)	1.5" - 3"	2,700
	270	10	Shrubs	2 gal.	2,700
TOTAL POINTS PROPOSED:					7,600
SITE AREA: 46,609 S.F.					POINTS REQ'D: 46,609*1.15 = 6,991



- City Details to use
1. Curb and Gutter- ST1-01
 2. Residential Driveway- ST2-00
 3. Concrete Joint- ST3-00
 4. Silt Fence- SWPP1-03
 5. Sewer Service Connection- S6-01
 6. Water Service- W2-01
 7. Straight or Angle Tap- W6-01

- Legend
- 1/2" Iron Rod Set
 - 1/2" Iron Rod Found
 - 5/8" Iron Rod Found
 - 8S - Existing Sewer Line w/ size
 - 8W - Existing Water Line w/ size
 - 8S - Proposed Sewer Line w/ size
 - 8W - Proposed Water Line w/ size
 - 8G - Existing Gas Line w/ size
 - 8E - Existing Overhead Electric Line

- Abbreviations
- D.E. Drainage Easement
 - D.D.F.E. Drainage Detention Facility Easement
 - D.R. Brazos County Deed Records
 - E.A.E. Emergency Access Easement
 - F.H. Fire Hydrant
 - O.R. Brazos County Official Records
 - P.A.E. Public Access Easement
 - P.R. Brazos County Plat Records
 - P.U.E. Public Utility Easement
 - R.O.W. Right-of-Way
 - U.E. Utility Easement
 - Pr.A.E. Private Access Easement
 - S.D. Storm Drain
 - Pr.L.E. Private Landscape Easement
 - F.D.C. Fire Department Connection

← Guy Anchor

LANDSCAPE PLAN

**LOT 5, BLOCK 3
PARK HUDSON PHASE 6**

1.07 Acres

BRYAN, BRAZOS COUNTY, TEXAS

SUBMITTED: JANUARY 2022
SCALE: 1" = 20'

Owner:
Key Pride Properties
24044. Cinco Village Center #100
Katy, Tx 77494

Prepared By:
McClure & Browne Engineering/Surveying, Inc.
1008 Woodcreek Dr., Suite 103
College Station, Texas 77845
(979) 693-3838



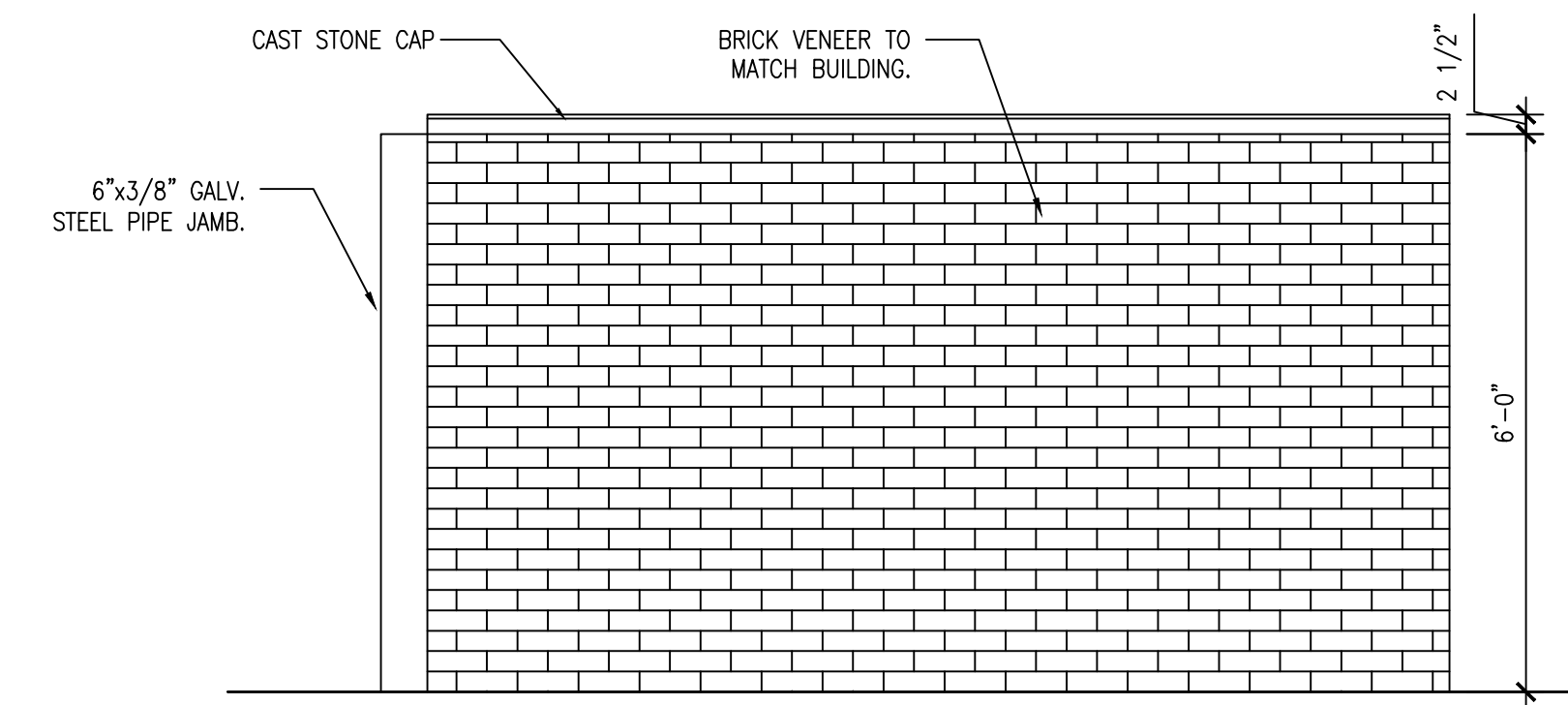
REVISIONS:

DRAWN BY CA
CHECKED BY CA

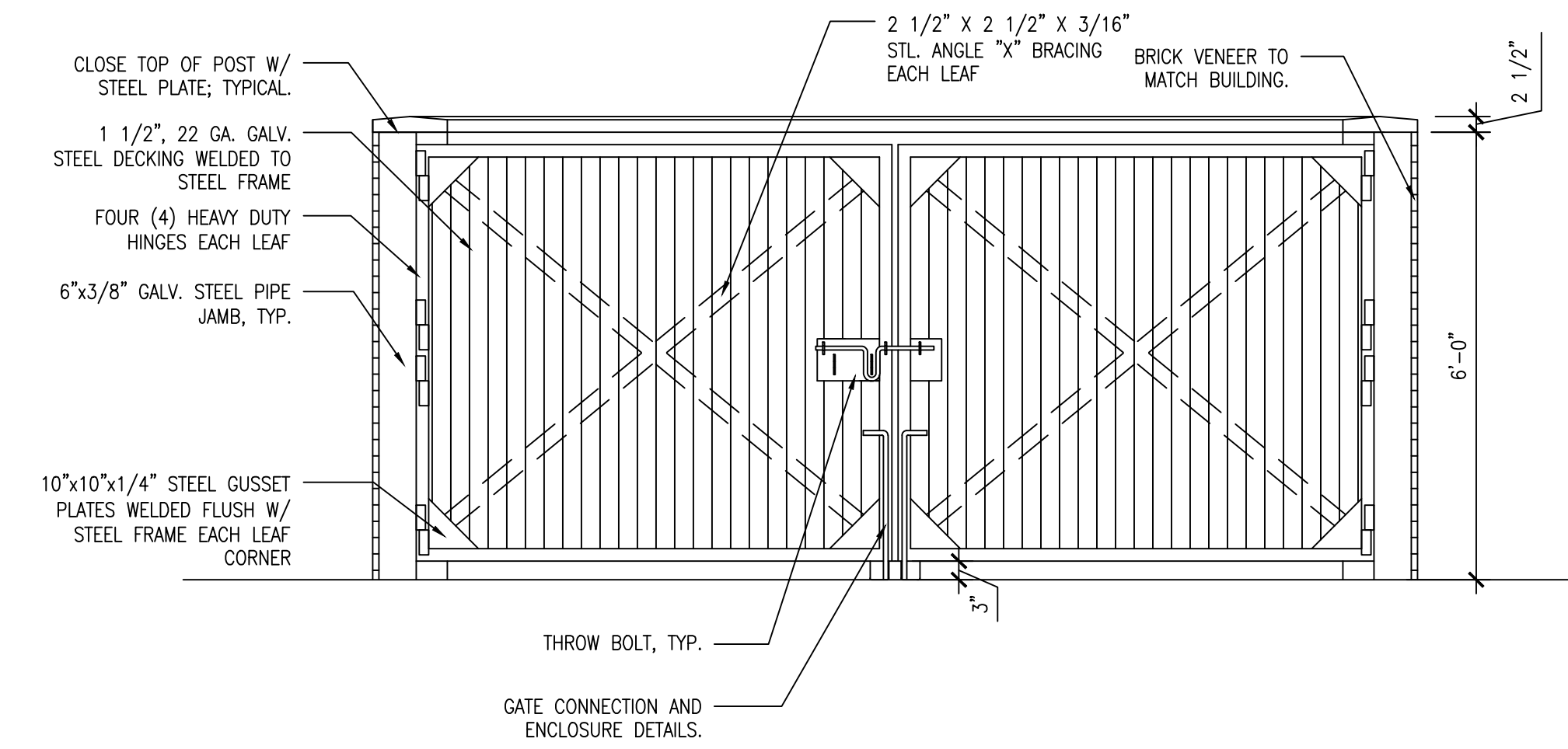
JOB NO: 22000

SITE DETAILS

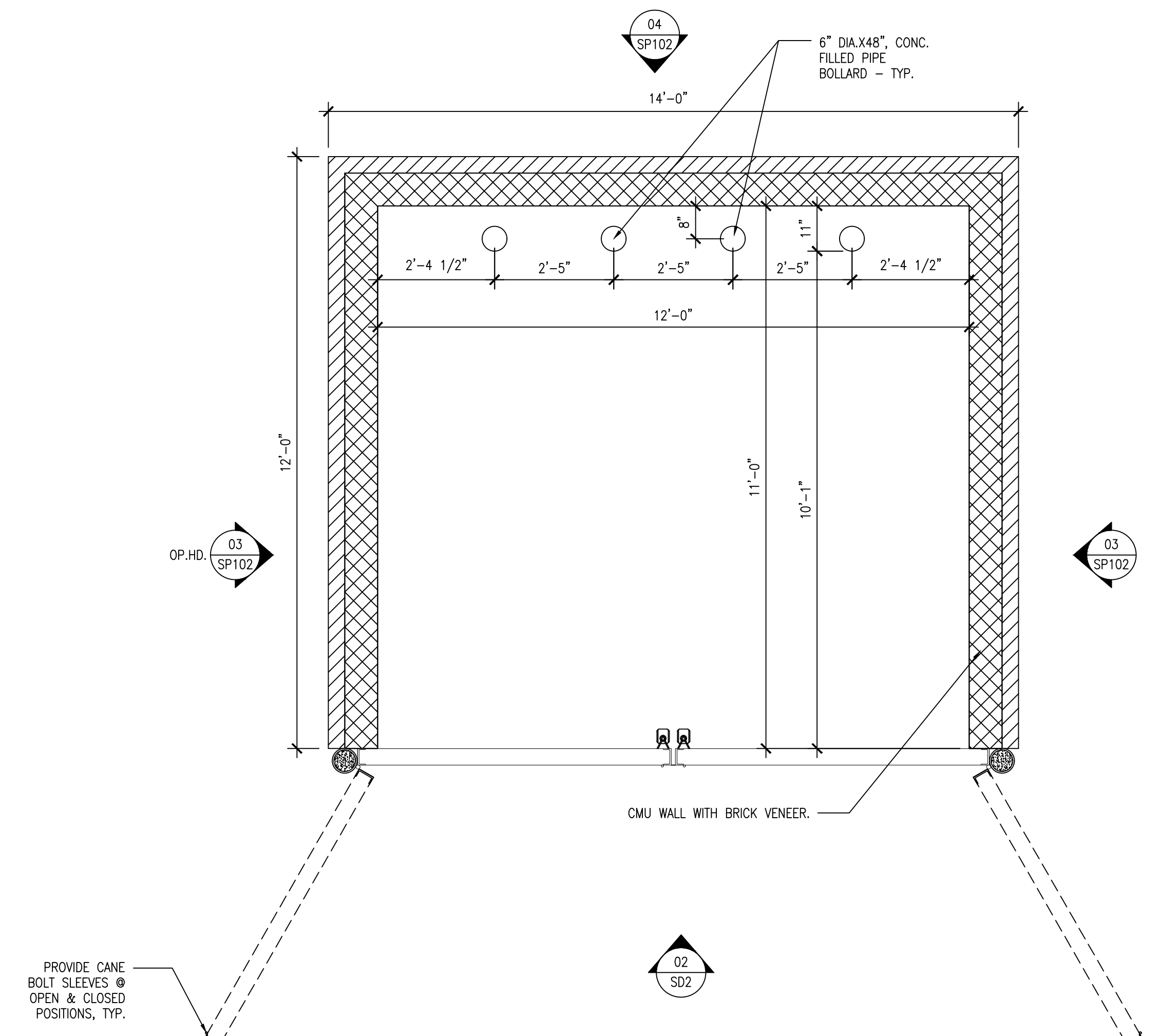
SP102



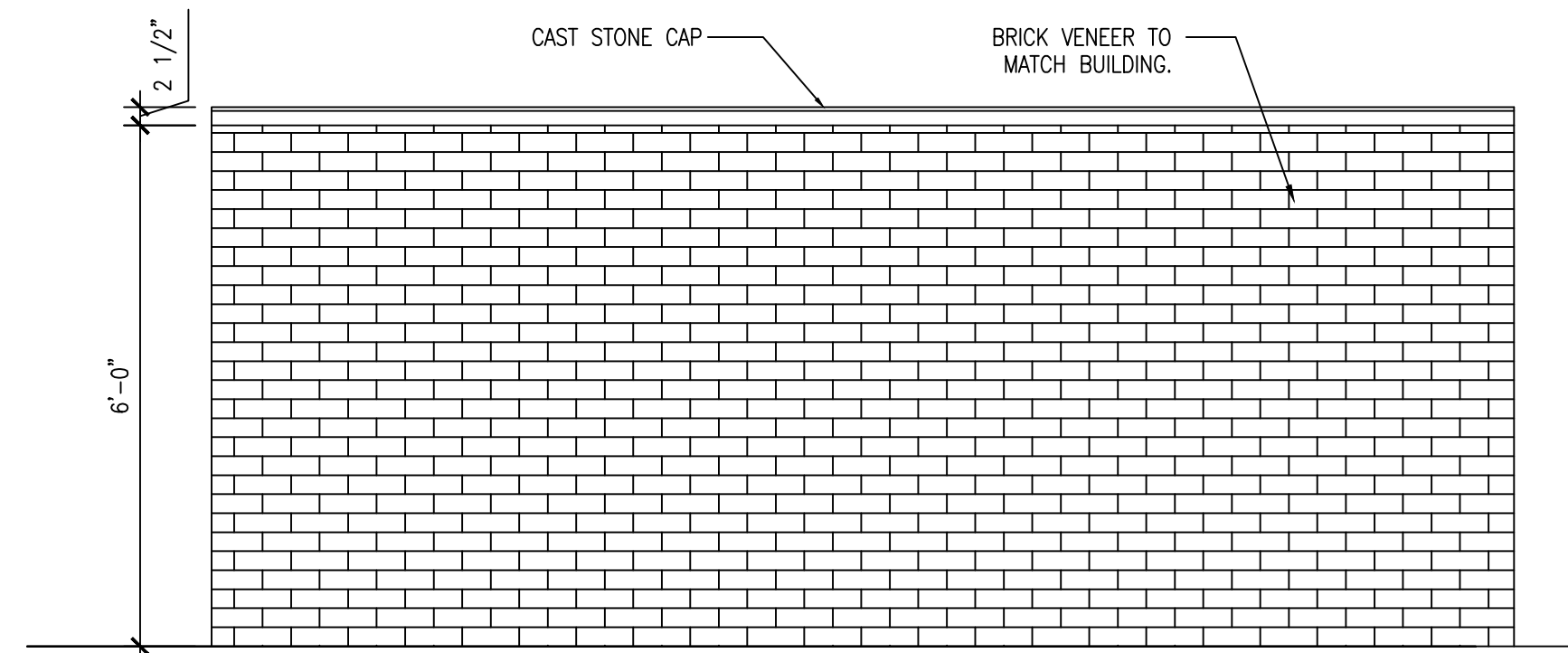
03
DUMPSTER ENCLOSURE
ELEVATION
SCALE: 1/2" = 1'-0"



02
DUMPSTER ENCLOSURE
ELEVATION
SCALE: 1/2" = 1'-0"



01
DUMPSTER
ENCLOSURE PLAN
SCALE: 1/2" = 1'-0"



04
DUMPSTER ENCLOSURE
ELEVATION
SCALE: 1/2" = 1'-0"